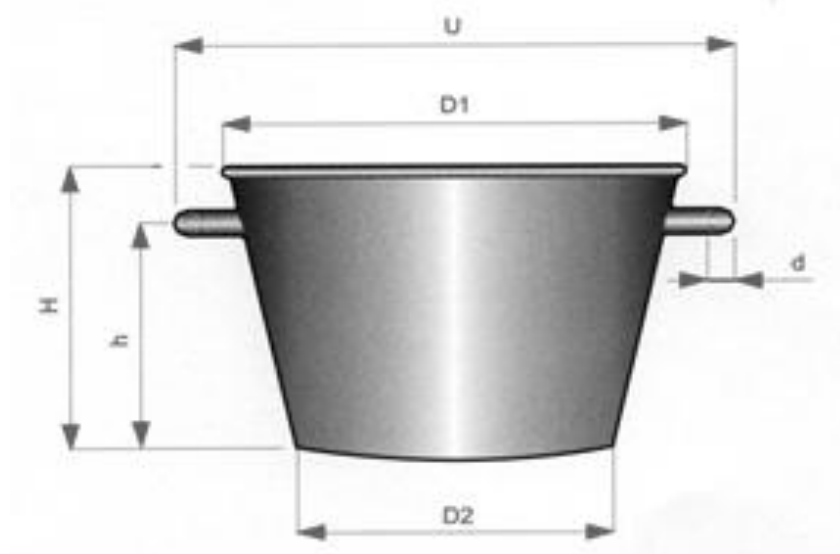


Plastic Bins



Sizes in mm.

Type	D1	D2	U	H	h	d	kg
70 litre	Ø535	Ø425	625	415	335	30	6
80 litre	Ø570	Ø495	685	385	320	35	7
100 litre	Ø665	Ø545	770	430	320	35	9

Borgarplast has manufactured Plastic Bins since 1985 and they are now available in 3 different sizes.

The Plastic Bins are used widely in food production and handling. They are made of Polyethylene (PE) which is approved for use within the food industry by the US FDA (US Food and Drug Administration) and comparable regulatory bodies in the European Union.

The bins are fitted with strong handles and are stackable inside each other but easy to remove afterwards.